

# CARD-O-PULLS™

## Printed Circuit Board Inserters/Extractors

- Select from 14 standard stock styles for 1/16", 3/32" and 1/8" PCBs.
- Strong and rigid with optimum leverages to assist in both insertion and extraction
- Directly interchangeable with competitive styles; widest selection of standards
- Large areas for hot stamping
- Special colors available



### 1107 Series Inserter/Extractor

#### Material Specifications:

1107 series: 30% glass filled Nylon per ASTM D4066 PA111 G30F04, UL Rated 94V-0

#### Oxygen Rating Index:

Over 28%

**Color:** Natural (Off White) or Black

#### Standard Drawing Tolerances:

(unless otherwise indicated)

Fractions: ± 1/64 (0.4)

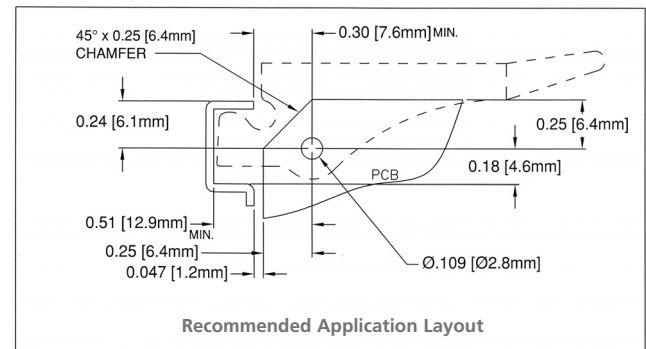
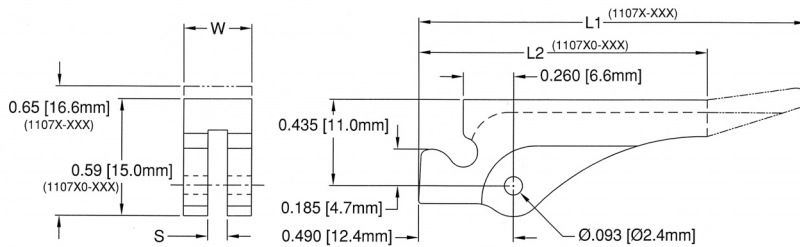
.X = ± 0.10 (2.5)

.XX = ± 0.01 (0.25)

.XXX = ± 0.005 (0.13)

*Note: Passivated Stainless Steel Spring Pins per MIL-P-10971 furnished with each Ejector or Inserter/Extractor.*

Part No.	S	W	L1	L2	PCB	Roll Pin	DESC
1107-062	.075 (1.9)	.290 (7.4)	2.0 (50.8)	-	.062 (1.6)	RP-250	83023-09
11073-062	.075 (1.9)	.350 (8.9)	2.0 (50.8)	-	.062 (1.6)	RP-312	-
11073-093	.100 (2.5)	.350 (8.9)	2.0 (50.8)	-	.093 (2.4)	RP-312	-
11073-125	.140 (3.6)	.350 (8.9)	2.0 (50.8)	-	.125 (3.2)	RP-312	83023-10
110710-062	.075 (1.9)	.290 (7.4)	-	1.5 (38.1)	.062 (1.6)	RP-250	83023-11
1107310-062	.075 (1.9)	.350 (8.9)	-	1.5 (38.1)	.062 (1.6)	RP-312	-
1107310-093	.100 (2.5)	.350 (8.9)	-	1.5 (38.1)	.093 (2.4)	RP-312	-
1107310-125	.140 (3.6)	.350 (8.9)	-	1.5 (38.1)	.125 (3.2)	RP-312	-



### LP-1107 Series Inserter/Extractor

LP-1107 BK	Black
LP-1107 NT	Natural

Furnished with Spring Pins RP-250

